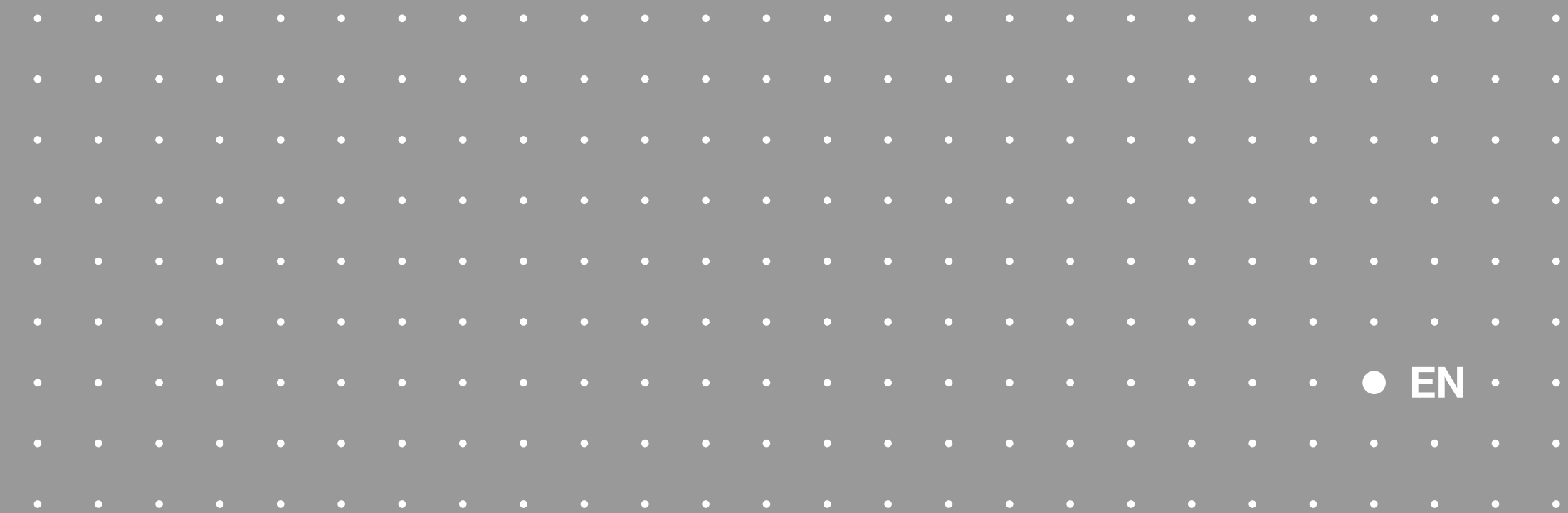




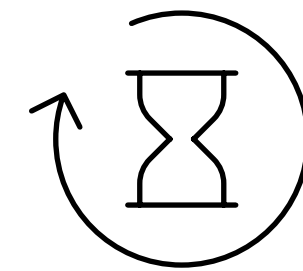
New products

Louvered Roof Pergolas

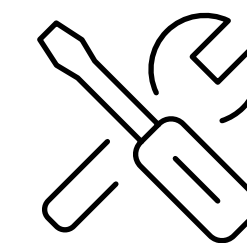




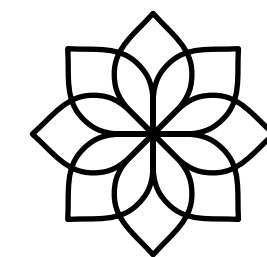
The new features of the **CoverSpace Louvered Pergolas** that we are sharing with you offer substantial improvements for both the installation and enjoyment of this renowned system.



Quick assembly



Easy installation



Enhanced aesthetic



LED lighting

The new lighting options help create spaces with greater ambience possibilities; more welcoming, and ideal for residential use as well as for restaurants and hotels.

New LED strips (both for slats and the structure's perimeter), portholes and fittings for columns, which increase the value of your Pergola. Installation of these new accessories is also much more convenient and quicker for professionals.

Perimeter LED



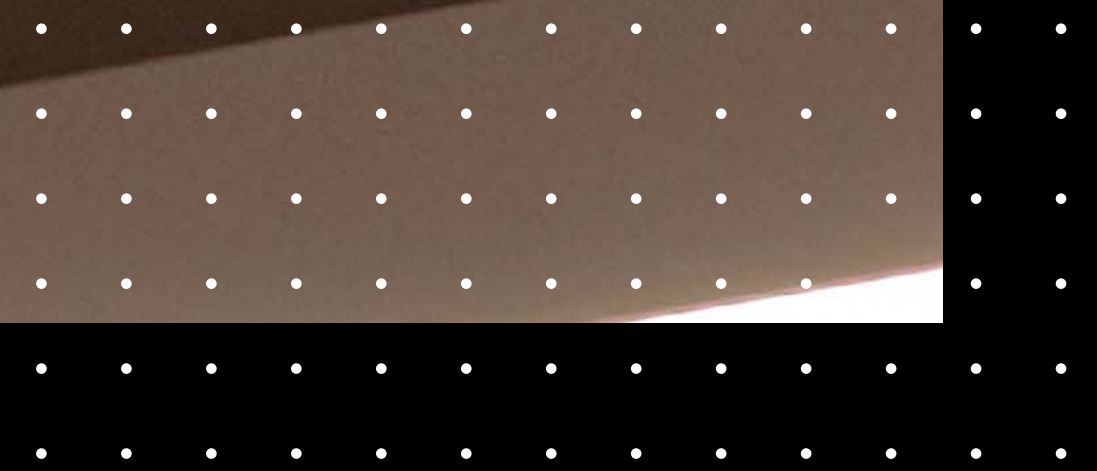
...and on slats

Silicone LED strips

- Integrated LED silicone profile.
- Lower consumption (<8 W/m).
- LED strip chips are less visible.
- Installation on LED slats and perimeter.
- Protection level: IP-65.
- Warm white, neutral and RGB.
- Easy replacement.
- Kits of 1, 2, 3 and 4 LED strips.
- Perimeter LED Kit warm white, neutral and RGB.
- 2-pin (1 colour) or 4-pin (RGB) quick connector.
- strips are supplied with connectors at both ends.

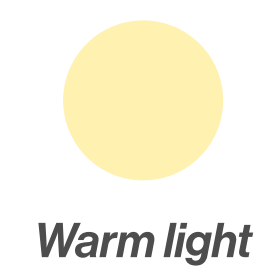


Portholes

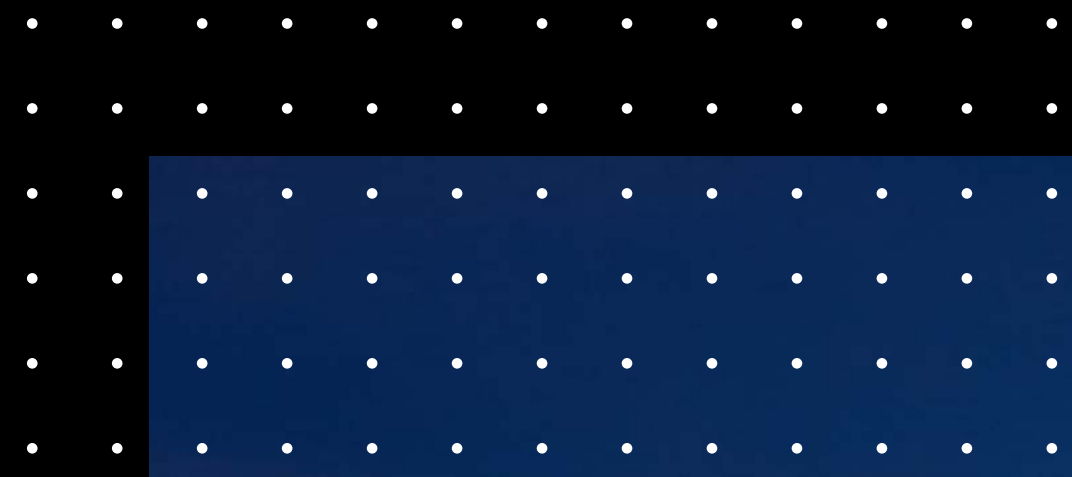


Portholes

- For use on slats.
- Warm light.
- Kits of 2, 3 or 4 portholes per slat.
- Lower electricity consumption in lighting.
- They bring a more elegant look to the space.
- Spotlight in colour anodised aluminium.
- 60° vision angle (full diffusion).
- Protection level: IP54.
- 24V power supply.



LIBRA 3000K spotlight.



Fittings



Fittings

- For use on columns.
- Mono-emission or bi-emission.
- Warm light.
- They bring a more elegant look to the space.
- Ideal for Hospitality or Contract spaces.



ARIES Warm Mono-Emission.

Motorisation

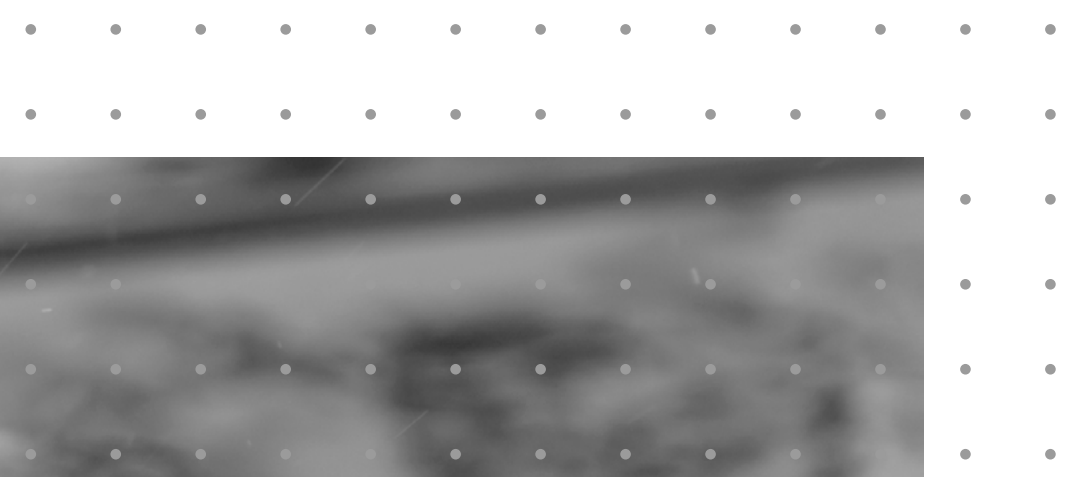


Motor IP-66

- Faster motor: 7.5mm/second.
- Includes cable with quick connector.



SHAKU Linear Motor 135mm.

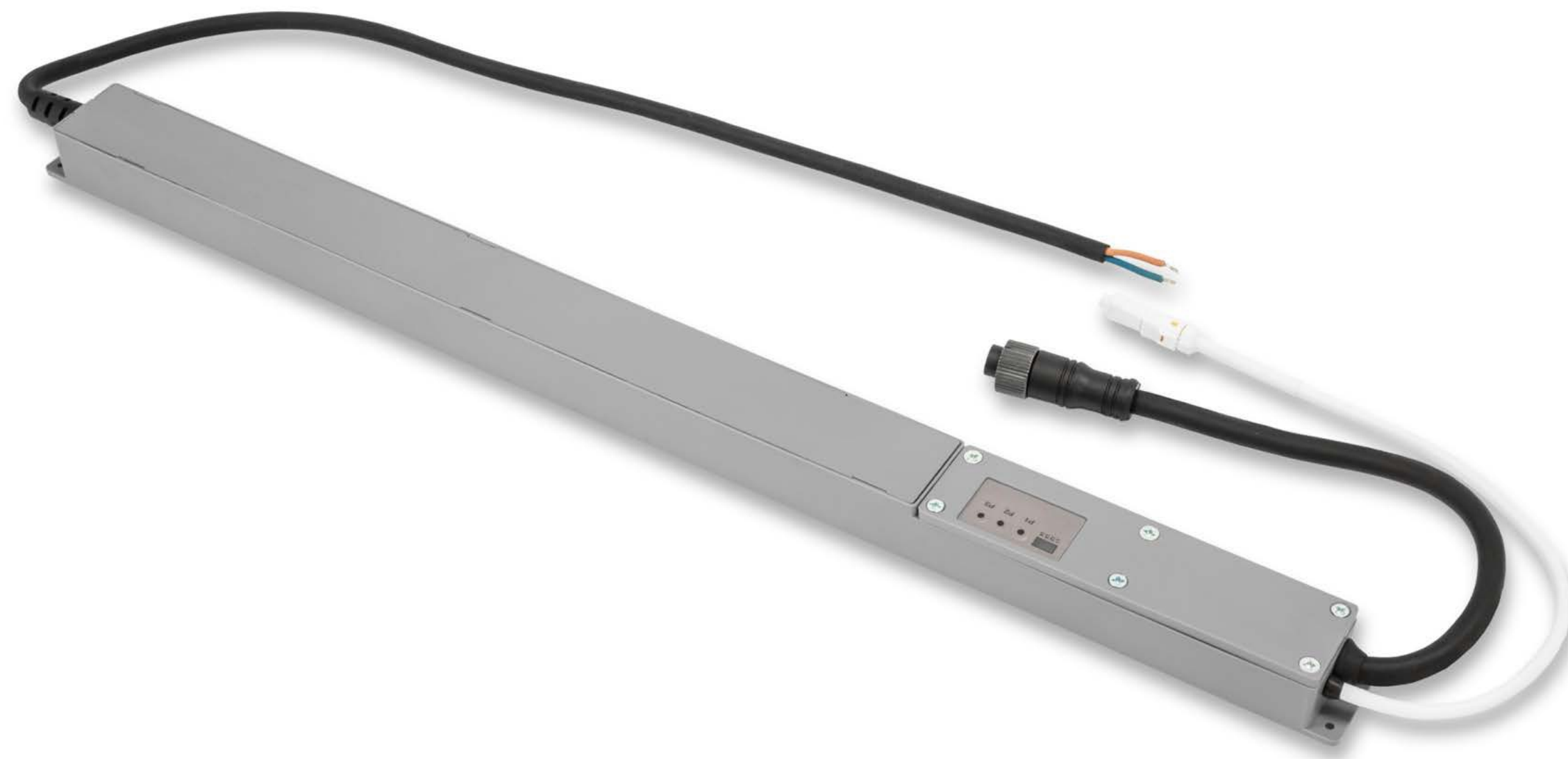


Automation



Automation Control Units

- More compact: in a single unit, we have a transformer, motor receiver and lighting receiver.
- Quick connector for sensor input.
- Cables, extensions and quick connectors for any type of connection: power supply, motor, lighting, sensors, etc.
- Activation/deactivation of snow, rain and temperature positions from the transmitter.
- Automatic learning of limit switches and obstacle detection system in slats.



Control unit for 124Vdc motor + LED.

Sun / Rain Automation

- New rain and outside temperature sensor.
- The temperature sensor is no longer in the control unit.
- Rain sensor with heating function integrated to avoid misinterpretation of rain.
- Protection level: IP-65.



Rain and temperature sensor (with 6-metre cable and connector)

Heating

- New heating receiver with intensity regulator function: 4 pre-set levels (100% - 66% - 50% - OFF).



Heater



Dimmer Receiver

NOON transmitter with 63 channels

- Transmitter with up to 9 channels and 7 buttons per channel. With a single transmitter, we can control:
 - 1 pergola's slats
 - 4 vertical Screens
 - 1-colour LEDs
 - RGB LEDs
 - Heating
- 4 buttons for pre-set positions, plus 3 for maintained control.
- Available in black and white.



NOON Transmitter White Aluminium.



NOON Transmitter Black Aluminium.

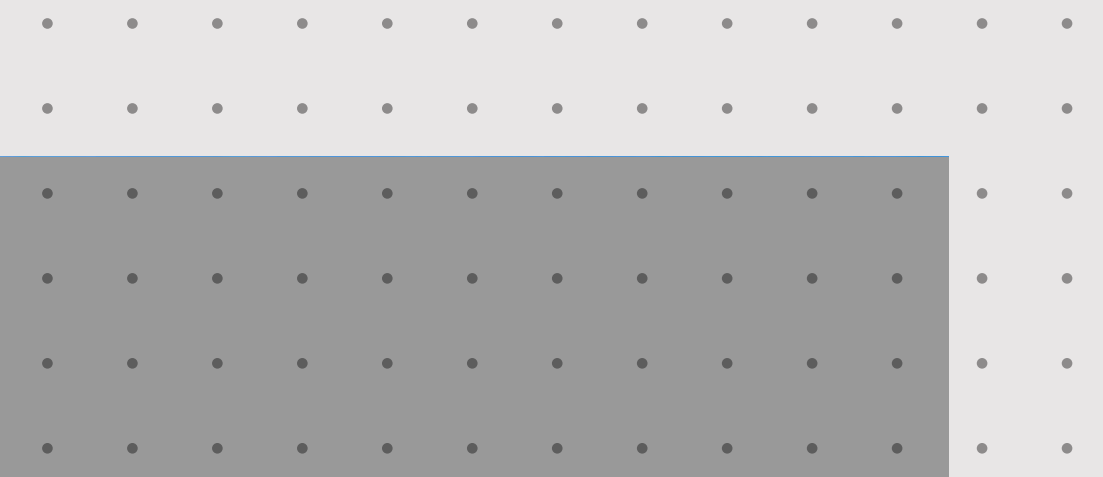
230V socket

- New accessory to provide a 230V power socket on the column(s).



230V recessed socket with open protective cover.

Adjustable Columns





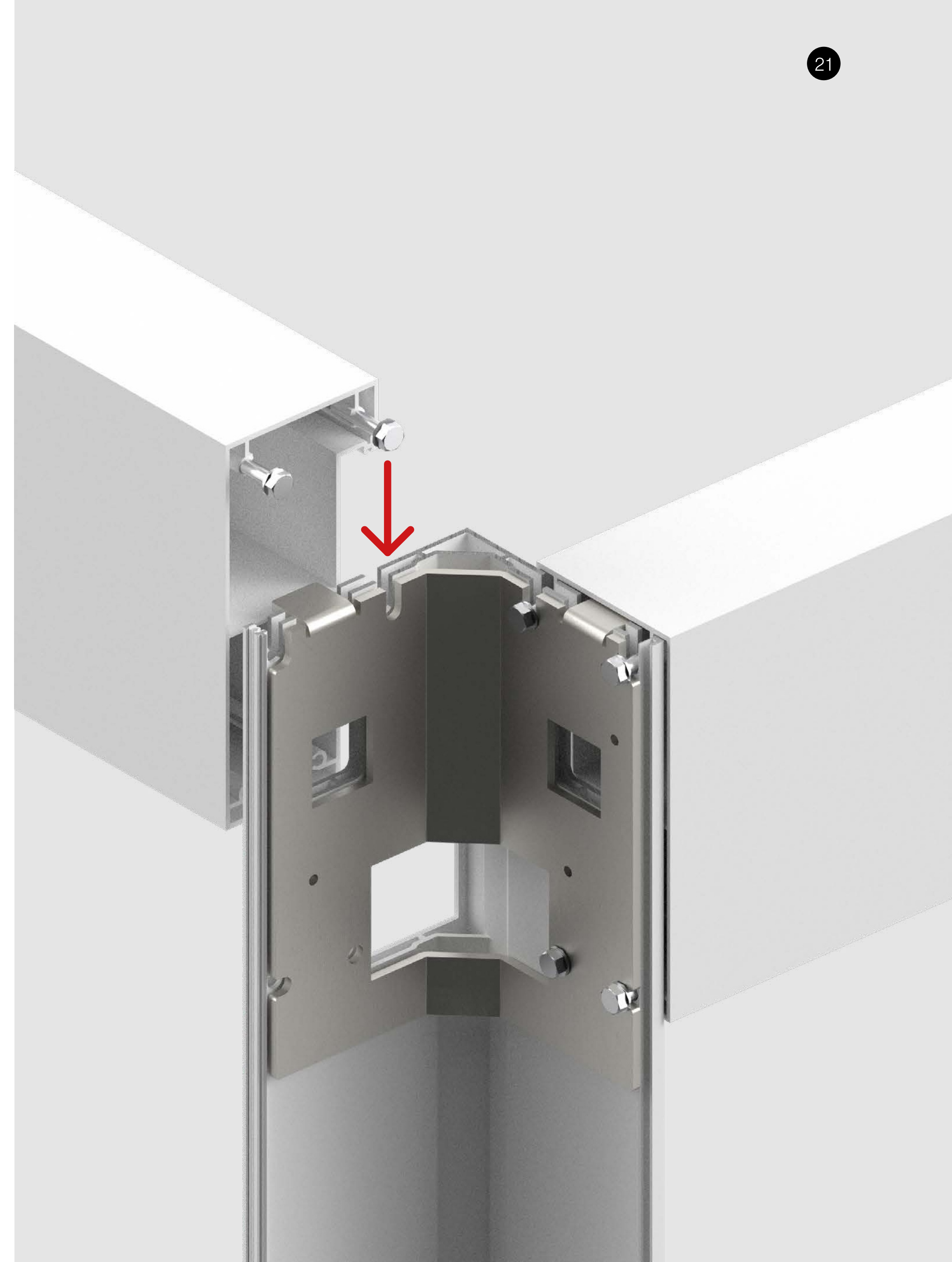
The new Louvered Pergola with Adjustable Columns (RC), compatible with our P-190 and P-150 models, makes for simpler and more efficient assembly, thanks to its greater and better accessibility for installation.

The new 5.9" X 5.9" column, as well as the evolution of several of its elements, makes its assembly easier and faster, representing a qualitative leap in its design.

Accessible assembly

The new mounting system reduces any required forces.

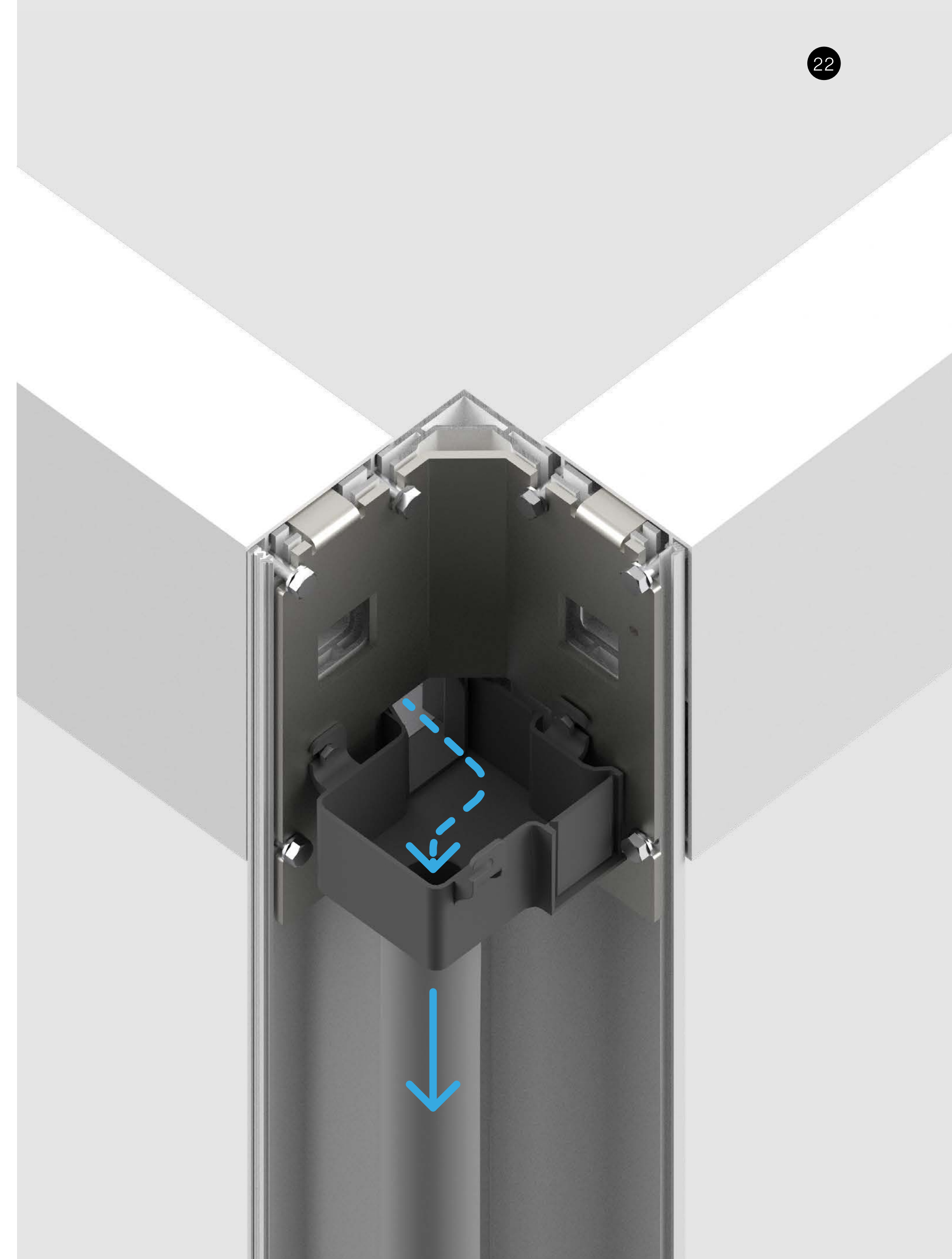
Its beam rests on the column for screwing, and does not need to be clamped.



Channelling

3 connecting pieces allow any water to be channelled through a 1 31/32" PVC pipe, thus avoiding mitre cuts and any possible scratches.

The length of the ducts is reduced and they do not need to be dismantled when installing the beams on the columns.

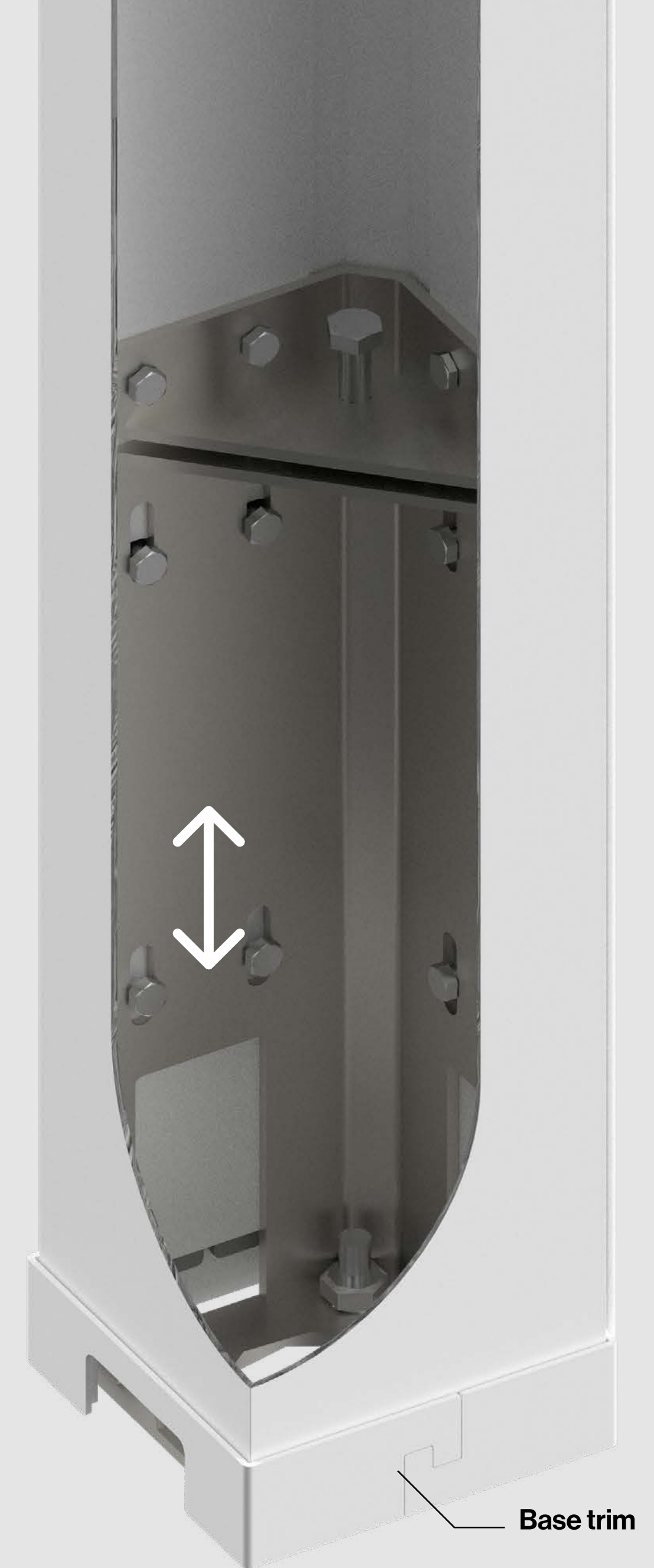


Adjustable base

A maximum adaptability to terrain of up to 9 27/32” thanks to its new height-adjustable base.

Brackets to reinforce the support of the column.

The connecting screws in the base of the column are internal, unlike the current ones.



Your world,
our universe.

coverspace.us

