

Datasheet

# Aneas 125x125



# Technical characteristics

## Wall to wall Aneas 125x125



**Patio cover without crossbar** Aneas 125x125



**Patio cover with crossbar** Aneas 125x125




### Mobilization

 Manual & Motorized

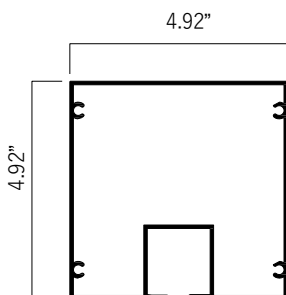
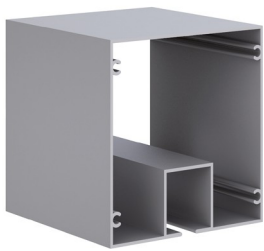
### Installation possibilities

 Terrace

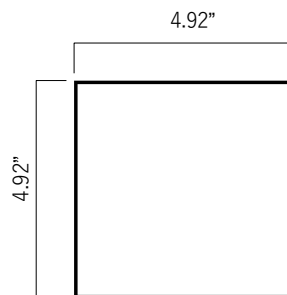
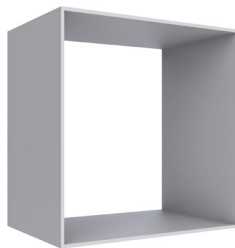
 Wrought

### Profiles

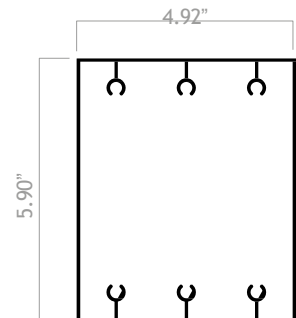
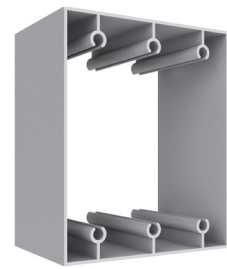
4.92" x 4.92" x 5/64" Guide patio cover



4.92" x 4.92" Column



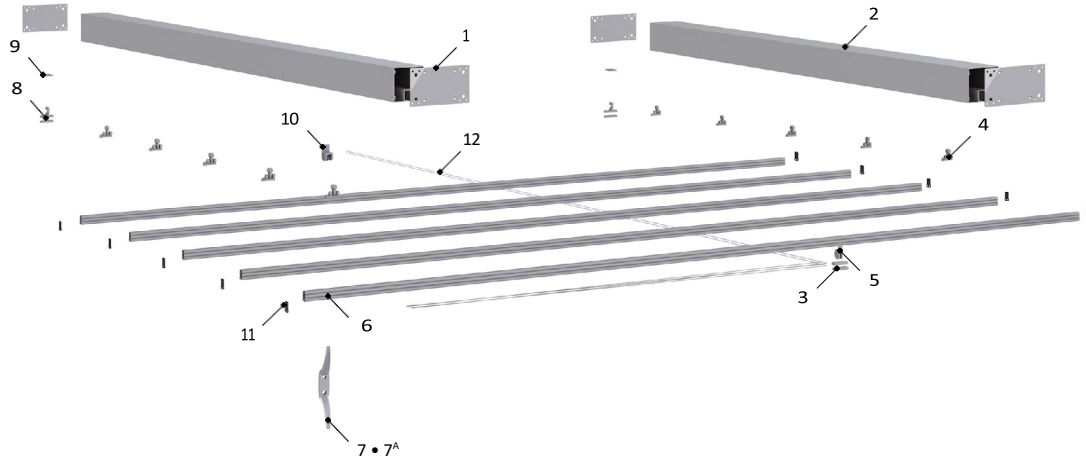
P-5.90" x 4.92" Beam



Measurements in inch.

# Technical characteristics

024280 Wall to wall Aneas 125x125



## Components

N°	Code	Description	N°	Code	Description
1	024167	4.92" x 4.92" Pole guide joiner plate	7	022129	Wall cleat for string plastic
2	024164	4.92" x 4.92" Guide Patio cover	7 <sup>A</sup>	022262	Wall cleat for string metallic
3	022111	Flange with string	8	022581	End hook kit
4	022379	Reinforced nylon flange pulley with bearings screw/nut stainless	9	024342	4.92" x 4.92" Pole final bracket
5	022084	Simple pulley	10	022593	Double pulley
6	022520	Aluminum double pole	11	022277	Cap for double fabric profile with hole
			12	022128	Rope for awning

## Wind resistance EN 13561:2004+A1:2008

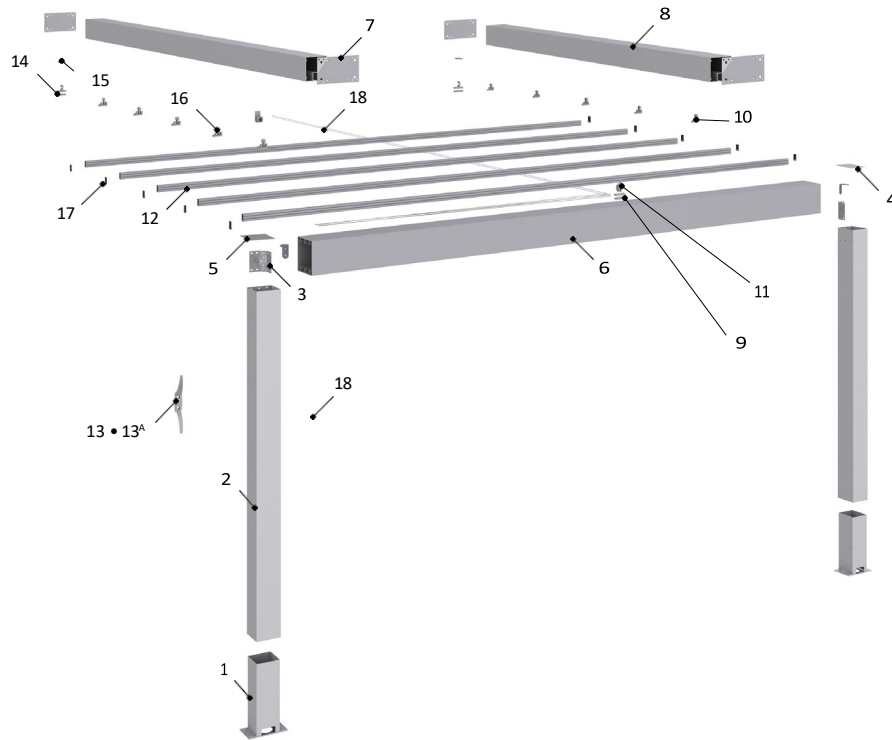
Projection	2 Guides														3 Guides			
	6'-6.74"	7'-4.58"	8'-2.43"	9'-0.27"	9'-10.11"	10'-7.95"	11'-5.80"	12'-3.64"	13'-1.48"	13'-11.32"	14'-9.17"	15'-7.01"	16'-4.85"	18'-0.54"	19'-8.22"	21'-3.91"	23'	
6'-6.74"	3	3	3	3	3	3	3	3	3	3	3	3	3	3	3	3	3	
8'-2.43"	3	3	3	3	3	3	3	3	3	3	3	3	3	3	3	3	3	
9'-10.11"	3	3	3	3	3	3	3	3	3	3	3	3	3	3	3	3	3	
11'-5.80"	3	3	3	3	3	3	3	3	3	3	3	3	3	3	3	3	3	
13'-1.48"	3	3	3	3	3	3	3	3	3	3	3	3	3	3	3	3	3	
14'-9.17"	3	3	3	3	3	3	3	3	3	3	3	3	3	3	3	3	3	
16'-4.85"	3	3	3	3	3	3	3	3	3	3	3	3	3	3	3	3	3	
18'-0.54"	3	3	3	3	3	3	3	3	3	3	3	3	3	3	3	3	3	
19'-8.22"	3	3	3	3	3	3	3	3	3	3	3	3	3	3	3	3	3	
21'-3.91"	3	3	3	3	3	3	3	3	3	3	3	3	3	3	3	3	3	
23'	3	3	3	3	3	3	3	3	3	3	3	3	3	3	3	3	3	

Class 3 = 30mph



# Technical characteristics

024285 Patio cover without crossbar Aneas 125x125



## Components

N°	Code	Description	N°	Code	Description
1	024288	S surface fixation	11	022084	Simple pulley
2	050205	4.92" x 4.92" Column	12	022520	Aluminum double pole
3	024244	P-5.90" x 4.92" Beam vertical bracket	13	022129	Wall cleat for string plastic
4	050262	M.023" x .62" A2 Clamping bracket columns cap	13 <sup>A</sup>	022262	Wall cleat for string metallic
5	050202	4.92" x 4.92" Columns cap	14	022581	End hook kit
6	024245	P-5.90" x 4.92" Beam	15	024342	4.92" x 4.92" Pole final bracket
7	024167	4.92" x 4.92" Pole guide joiner plate	16	022593	Double pulley
8	024164	4.92" x 4.92" Guide Patio cover	17	022277	Cap for double fabric profile with hole
9	022111	Flange with string	18	022128	Rope for awning
10	022379	Reinforced nylon flange pulley with bearings screw/nut stainless			

## Wind resistance EN 13561:2004+A1:2008

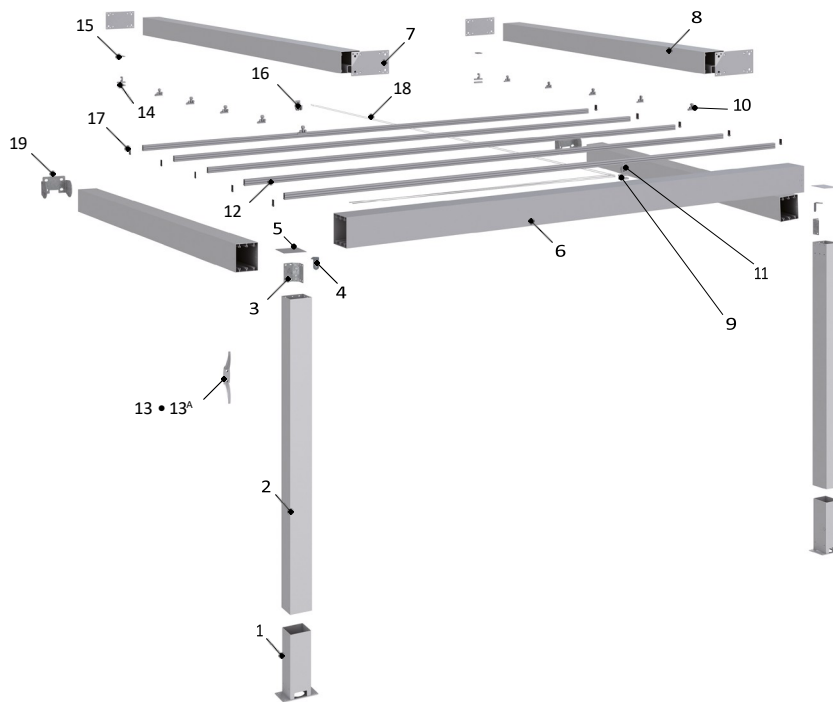
Projection	Width		2 Guides											3 Guides			
	6'-6.74"	7'-4.58"	8'-2.43"	9'-0.027"	9'-10.11"	10'-7.95"	11'-5.80"	12'-3.64"	13'-1.48"	13'-11.32"	14'-9.17"	15'-7.01"	16'-4.85"	18'-.54"	19'-8.22"	21'-3.91"	23'
6'-6.74"	3	3	3	3	3	3	3	3	3	3	3	3	3	3	3	3	3
8'-2.43"	3	3	3	3	3	3	3	3	3	3	3	3	3	3	3	3	3
9'-10.11"	3	3	3	3	3	3	3	3	3	3	3	3	3	3	3	3	3
11'-5.80"	3	3	3	3	3	3	3	3	3	3	3	3	3	3	3	3	3
13'-1.48"	3	3	3	3	3	3	3	3	3	3	3	3	3	3	3	3	3
14'-9.17"	3	3	3	3	3	3	3	3	3	3	3	3	3	3	3	3	3
16'-4.85"	3	3	3	3	3	3	3	3	3	3	3	3	3	3	3	3	3
18'-.54"	3	3	3	3	3	3	3	3	3	3	3	3	3	3	3	3	3
19'-8.22"	3	3	3	3	3	3	3	3	3	3	3	3	3	3	3	3	3
21'-3.91"	3	3	3	3	3	3	3	3	3	3	3	3	3	3	3	3	3
23'	3	3	3	3	3	3	3	3	3	3	3	3	3	3	3	3	3

Class 3 = 30mph



# Technical characteristics

## 024290 Patio cover with crossbar Aneas 125x125



### Components

N°	Code	Description	N°	Code	Description
1	024288	S surface fixation	11	022084	Simple pulley
2	050205	P-4.92" x 4.92" Column	12	022520	Aluminum double pole
3	024244	P-5.90" x 4.92" Beam vertical bracket	13	022129	Wall cleat for string plastic
4	050262	M.023" x .62" A2 Clamping bracket columns cap	13 <sup>A</sup>	022262	Wall cleat for string metallic
5	050202	4.92" x 4.92" Columns cap	14	022581	End hook kit
6	024245	P-5.90" x 4.92" Beam	15	024342	4.92" x 4.92" Pole final bracket
7	024167	4.92" x 4.92" Pole guide joiner plate	16	022593	Double pulley
8	024164	4.92" x 4.92" Guide Patio cover	17	022277	Cap for double fabric profile with hole
9	022111	Flange with string	18	022128	Rope for awning
10	022379	Reinforced nylon flange pulley with bearings screw/nut stainless	19	024206	4.92" x 4.92" Patio cover 15° wall support with screws

### Wind resistance EN 13561:2004+A1:2008

Projection	Width			2 Guides										3 Guides			
	6'-6.74"	7'-4.58"	8'-2.43"	9'-0.027"	9'-10.11"	10'-7.95"	11'-5.80"	12'-3.64"	13'-1.48"	13'-11.32"	14'-9.17"	15'-7.01"	16'-4.85"	18'-0.54"	19'-8.22"	21'-3.91"	23'
6'-6.74"	3	3	3	3	3	3	3	3	3	3	3	3	3	3	3	3	3
8'-2.43"	3	3	3	3	3	3	3	3	3	3	3	3	3	3	3	3	3
9'-10.11"	3	3	3	3	3	3	3	3	3	3	3	3	3	3	3	3	3
11'-5.80"	3	3	3	3	3	3	3	3	3	3	3	3	3	3	3	3	3
13'-1.48"	3	3	3	3	3	3	3	3	3	3	3	3	3	3	3	3	3
14'-9.17"	3	3	3	3	3	3	3	3	3	3	3	3	3	3	3	3	3
16'-4.85"	3	3	3	3	3	3	3	3	3	3	3	3	3	3	3	3	3
18'-0.54"	3	3	3	3	3	3	3	3	3	3	3	3	3	3	3	3	3
19'-8.22"	3	3	3	3	3	3	3	3	3	3	3	3	3	3	3	3	3
21'-3.91"	3	3	3	3	3	3	3	3	3	3	3	3	3	3	3	3	3
23'	3	3	3	3	3	3	3	3	3	3	3	3	3	3	3	3	3

Class 3 ≈ 30mph





F.T. ANEAS 125x125 · EN · 014322

Your world,  
our universe.

• [coverspace.us](https://coverspace.us)