

## Technical data sheet

### Aluminum Bi-fold doors

Bi-fold doors technical data sheet · Ed. 11.2. 2023-07

# Bi-fold doors series:

## Thermal break series

- S220 RPT
- S200 RPT



## INDEX

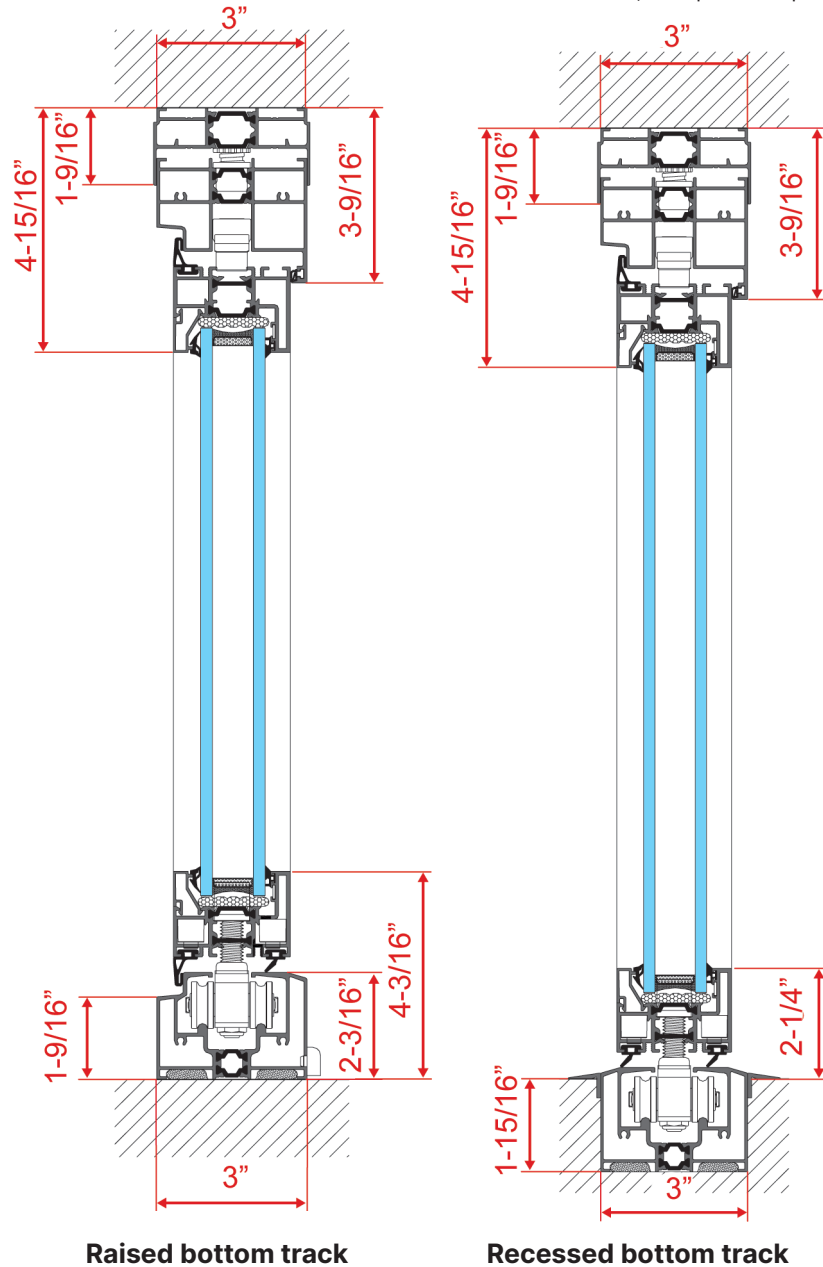
S220 RPT .....	3
S200 RPT .....	4
Bottom guide options for S220 RPT and S200 RPT .....	5
Opening options for S220 RPT and S200 RPT .....	6

# S220 RPT Series

## Vertical section

Dimensions in inch

\*Dimensions are valid, except for misprints



Raised bottom track

Recessed bottom track

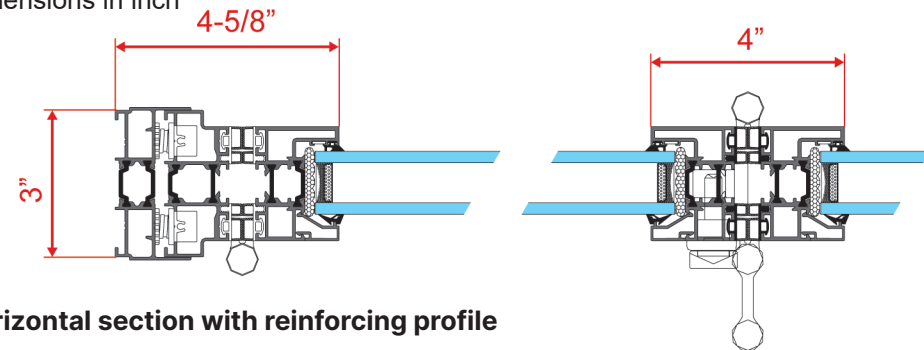


## Features

- Special reinforced series made from thermally broken aluminum and quadruple gasket.
- Thermal insulation values (Uw) as low as 0.271 BTU/(hrft<sup>2</sup>F), depending on the glass used.
- Glass panels up to 9.84' height, 3.94' wide and 287 pounds weight. Possibility of adding reinforcing profile for glass panels up to 14.76' height and 440 pounds weight.
- Super slim profiles, meeting leaves just 4" (5-11/16" with reinforcement column).
- Available with 1-9/16" gaps for the incorporation of 1-1/4" double glazing.
- Leaves can open inwards or outwards.
- Fitted with horizontal and vertical glazing beads.
- Includes U-shaped compensation profile to correct minor misalignments.
- Optional incorporation of standard handles, business-type handles or three-point bolt locks.
- Accessories are available in black.
- Available with lacquered finishes in the classic RAL color range, anodized or decorated with a wood-grain effect.

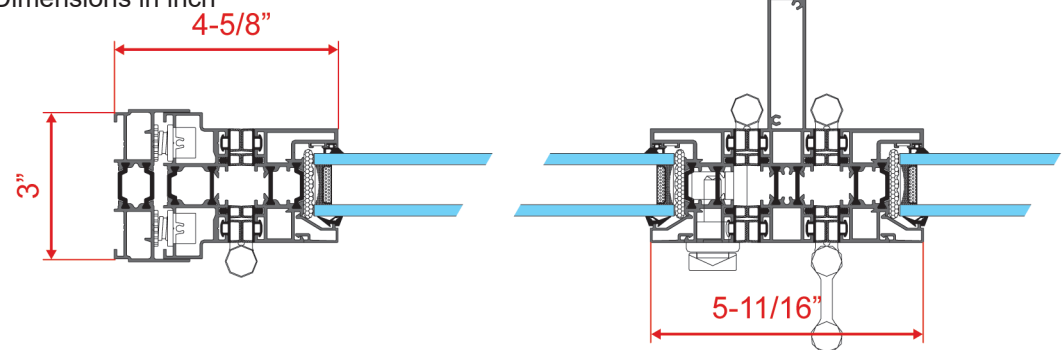
## Horizontal section

Dimensions in inch



## Horizontal section with reinforcing profile

Dimensions in inch

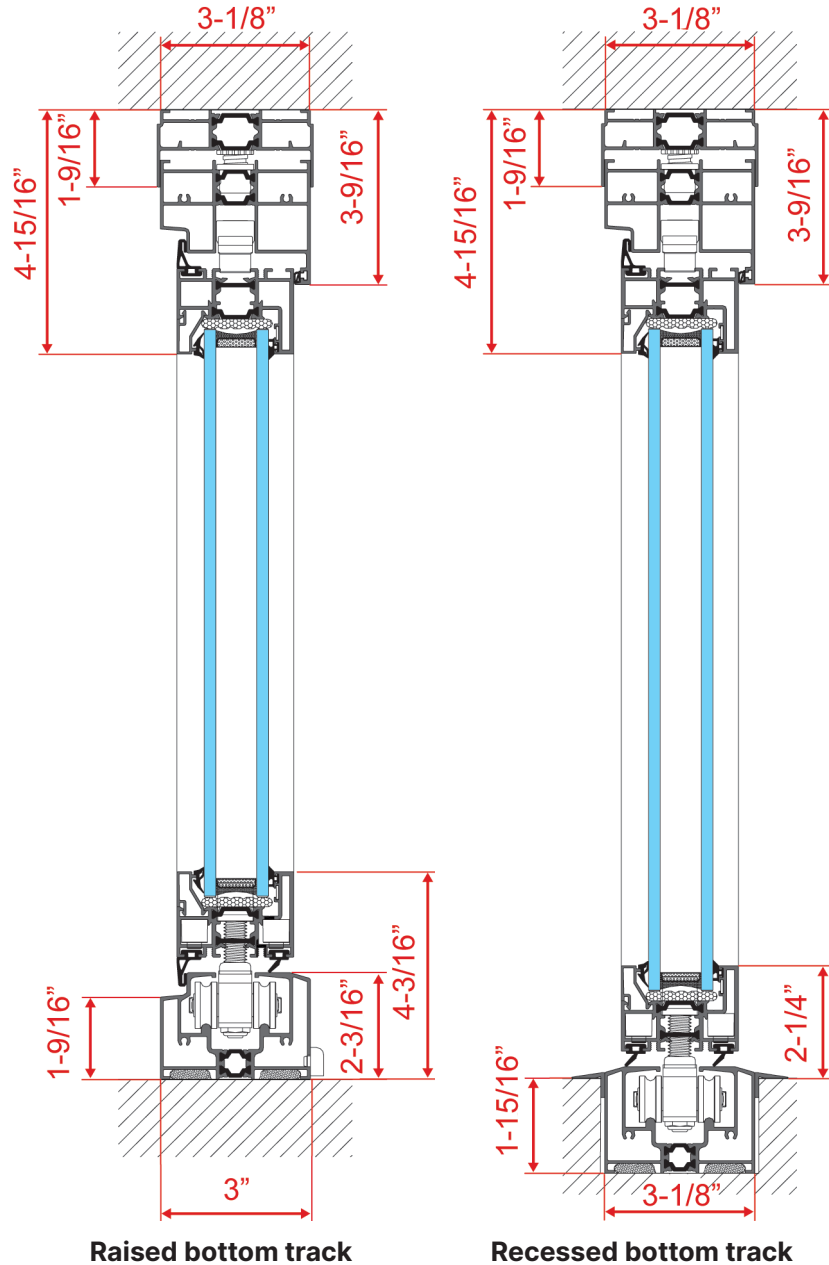


# S200 RPT Series

## Vertical section

Dimensions in inch

\*Dimensions are valid, except for misprints



Raised bottom track

Recessed bottom track

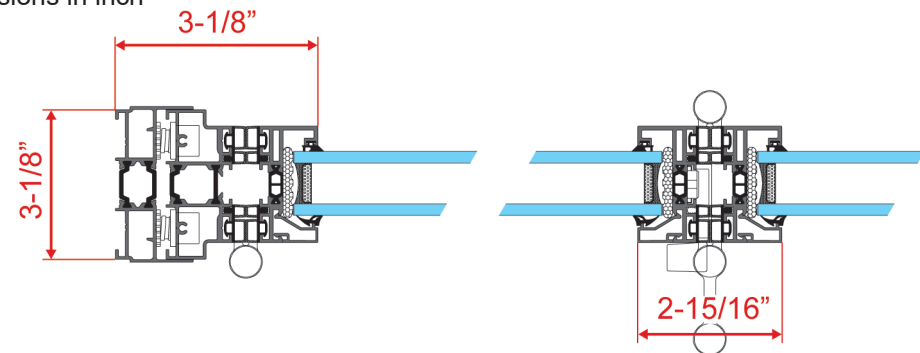


## Features

- Minimalistic special reinforced series made from thermally broken aluminum and quadruple weather-tight gasket.
- Thermal insulation values (Uw) as low as 0.271 BTU/(hrft<sup>2</sup>°F),, depending on the glass used.
- Glass panels up to 9.84', 3.94' wide and 200 pounds weight.
- Super slim profiles, meeting leaves just 2-15/16"
- Available with 1-9/16" gaps for the incorporation of 1-1/4" double glazing.
- Leaves can open inwards or outwards.
- Fitted with horizontal and vertical glazing beads.
- Includes U-shaped compensation profile to correct minor misalignments.
- Optional incorporation of standard handles, business-type handles or three-point bolt locks.
- Accessories are available in black.
- Available with lacquered finishes in the classic RAL color range, anodized or decorated with a wood-grain effect.

## Horizontal section

Dimensions in inch



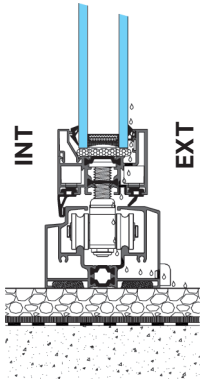


# Bottom guide options for S220 RPT and S200 RPT

## Raised bottom track options

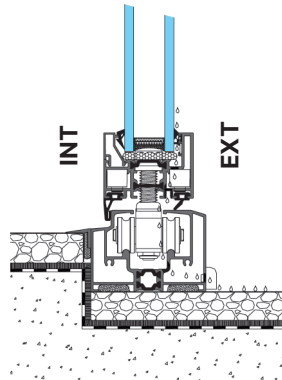
Raised bottom track

GS-1



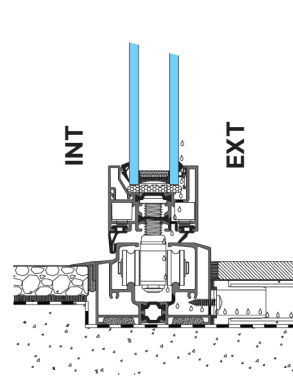
Raised bottom track with step

GS-2



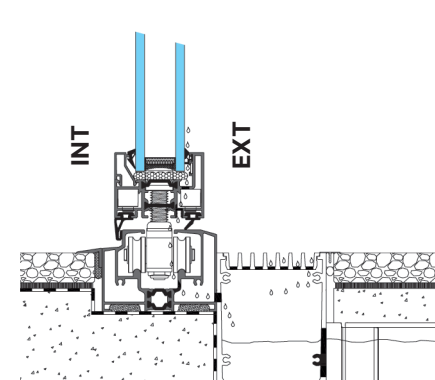
Raised recessed bottom track

GSE-1



Raised recessed bottom track with drainage system

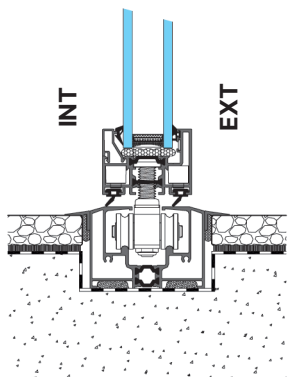
GSE-2



## Recessed bottom track options

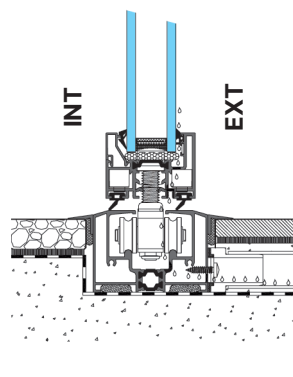
Recessed bottom track

GE-1



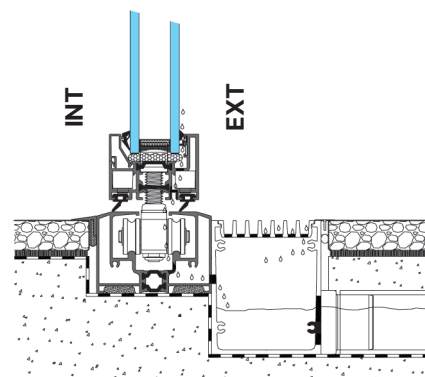
Recessed bottom track with drainage system

GE-2



Recessed bottom track with drainage channel

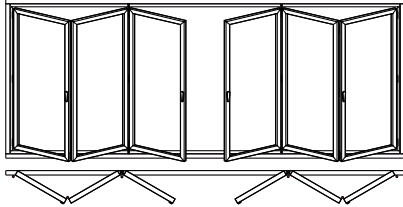
GE-3



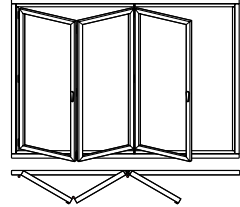
# Opening options for S220 RPT and S200 RPT

## Opening options

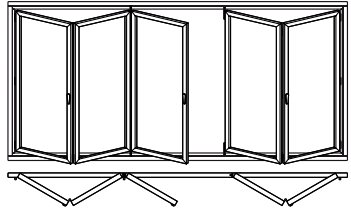
Both sides inward opening.  
Number of leaves: odd and odd.



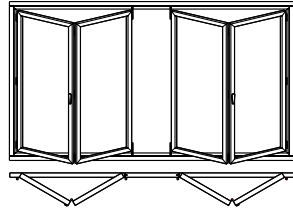
Left inward opening.  
Number of leaves: odd.



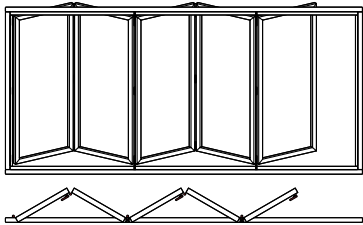
Both sides inward opening.  
Number of leaves: odd and pair.



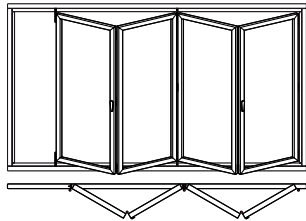
Interior opening both sides.  
Number of leaves: pair and pair.



Left outward opening.  
Number of leaves: odd.



Right inward opening.  
Number of leaves: pair.



## Features

There are many possibilities to adjust the opening configuration to suit your requirements. You can slide the doors as you wish.

You can slide all the panels to right or left side, or both sides of the aperture.

Panels can be folded inwards or outwards.



**COVERSPACE, LLC**  
**coverspace.us**

