

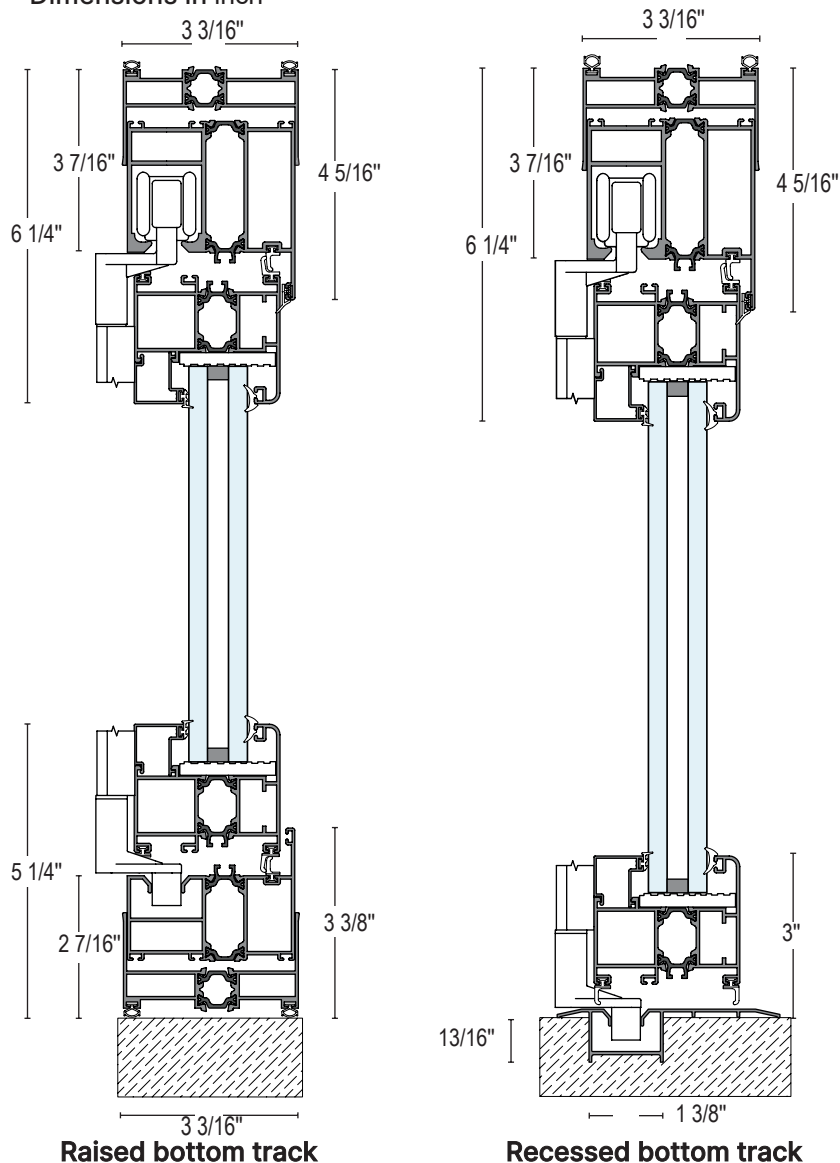
## Folding sliding aluminum doors Technical information

# S70 RPT

## Vertical section

## Features

### Dimensions in inch



- Special reinforced series made from thermally broken aluminum. Rounded edges and triple weathertight gasket. Allows for the creation of slightly curved systems or systems which occupy a wide radius. Giving a thermic insulation,  $U_w = 0.352 - 0.422 \text{ BTU}/(\text{hrft}^2\text{°F})$ . Depending on the glass used.

- Available with:

1 1/16"(27mm), 1 5/16"(33mm),  
1 9/16"(40mm), 1 11/16"(43mm) and 1 7/8"(47mm), gaps for the incorporation of glazing or panels.

- Leaves can open inwards or outwards, and can also incorporate one or more mid rails.

- Fitted with horizontal and vertical glazing beads.

- Series with optional flush-mounted or surface-mounted bottom track.

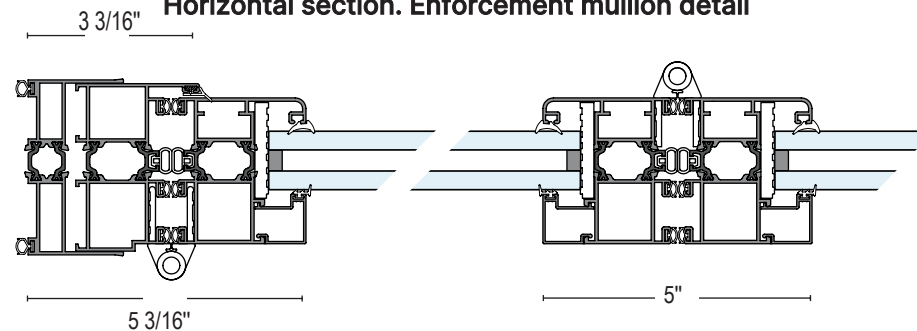
- Includes U-shaped compensation profile to correct minor misalignments.

- Optional incorporation of standard handles, business-type handles or three-point bolt locks.

- Accessories are available in white, black and on demand, in the same colors as the profiles.

Series in epoxy polyester powder coated in any of 210 shades included in the classic RAL color range, anodised or decorated with a wood-grain effect. According to production volume, a two-toned finish is possible in all options of this series – both for epoxy polyester powder coated and anodized finishes.

### Horizontal section. Enforcement mullion detail



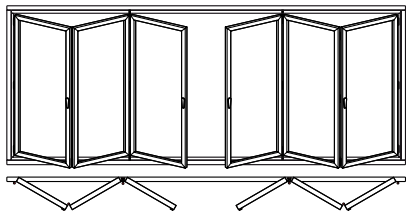
Folding sliding doors. Technical information.

\*Dimensions are valid, except for misprints

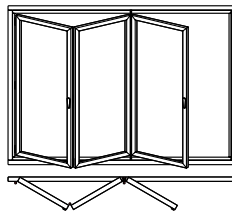
# Openings

## Opening types

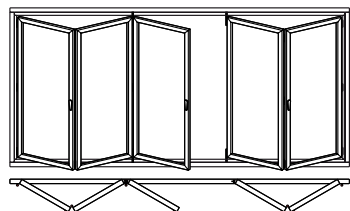
Both sides inward opening.  
Number of leaves: odd and odd.



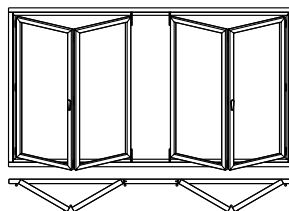
Left inward opening.  
Number of leaves: odd.



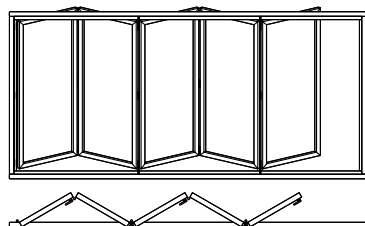
Both sides inward opening.  
Number of leaves: odd and pair.



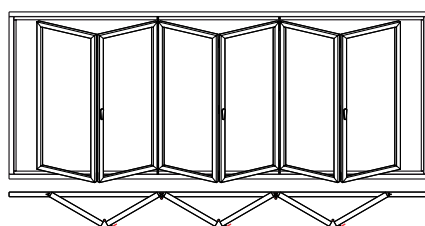
Interior opening both sides.  
Number of leaves: pair and pair.



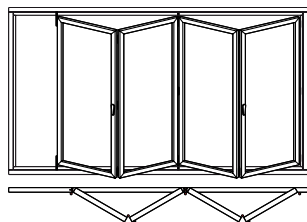
Left outward opening.  
Number of leaves: odd.



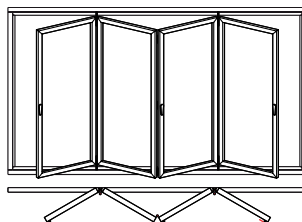
Indistinct inward opening.  
Number of leaves: pair.



Right inward opening.  
Number of leaves: pair.



Indistinct inward opening with hinged doors.  
Number of leaves: pair.



There are many possibilities to adjust the opening configuration to suit your requirements. You can slide the doors as you wish. You can slide all the panels to right or left side, or both sides. You also have the possibility to open them either to right and left side. Panels can be folded inwards or outwards.

## Features



## Folding sliding aluminum doors Technical information

CoverSpace, LLC  
100 West Road, Suite 300, Towson, MD 21204  
[info@coverspace.us](mailto:info@coverspace.us)  
<https://coverspace.us>

